


Third Angle Projection 

Do Not Scale

DIMENSIONS SUBJECT TO CHANGE WITHOUT NOTIFICATION

DIMENSIONS SHOULD NOT BE USED FOR INSTALLATION PURPOSES UNLESS SPECIFICALLY ENDORSED

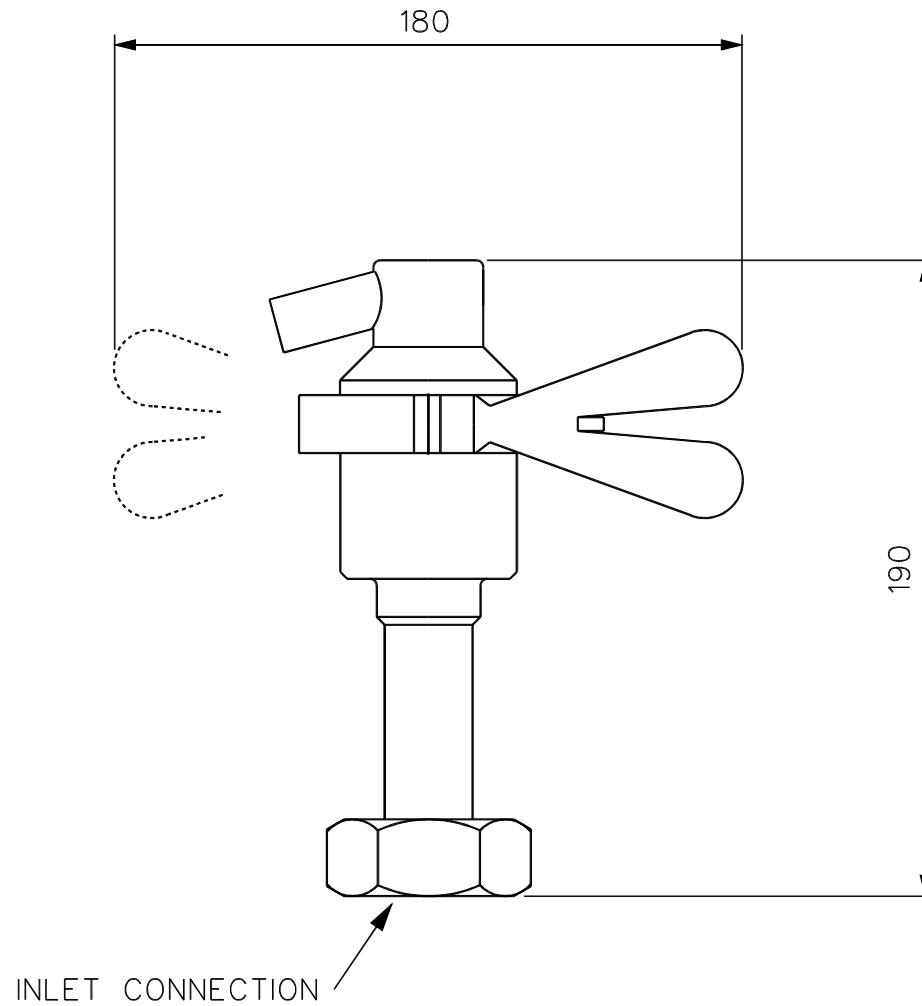
Drg No
RD-1707

Rev Status
A

Dimensions in mm

4.5G(2) Iss 1 10/98

For Revisions See Reverse



MDM PUMPS LTD
Spring Lane
Malvern, Worcs
England WR14 1BP
Tel 01684 892678
Fax 01684 892841

Drn	MR	Date	17/9/04
Ch'd		Date	17/9/04
Scale			2:1

AE & AP VENT VALVE - DIMENSION DRAWING