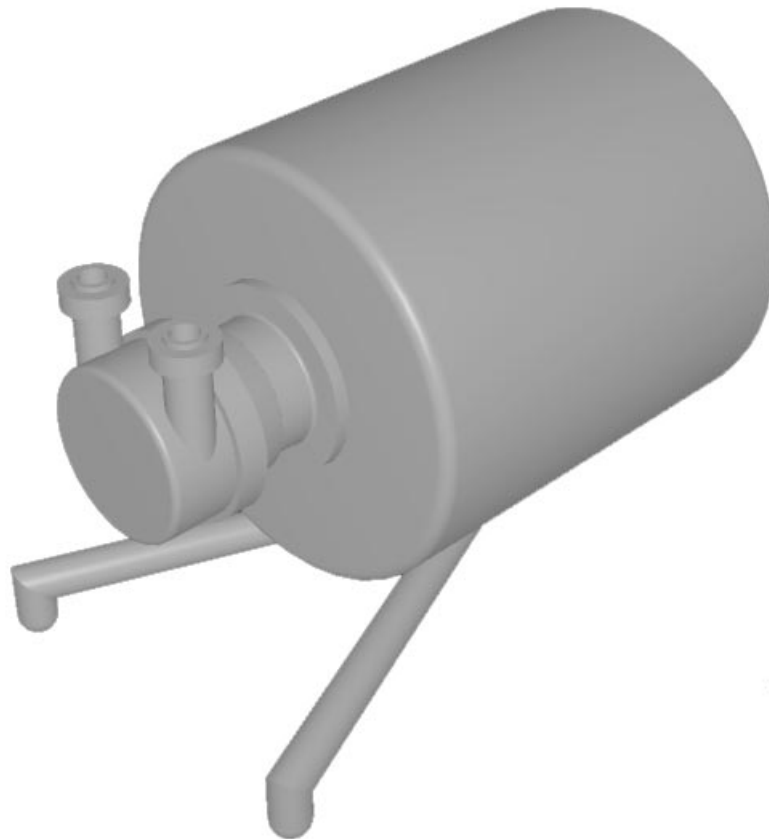


TWO-WAY

- a fermentation vessel sample pump

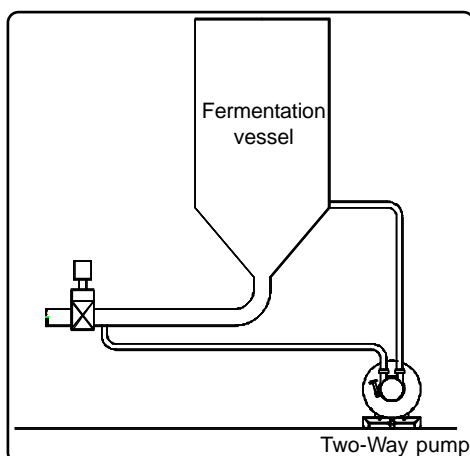


INTRODUCTION

The TWO-WAY has been specifically designed for the brewing industry for use as a fermentation vessel (FV) sample pump.

The pump offers:

- Reduced time to ferment beer.
- Better utilisation of FV facilities.
- Representative samples of the product.



The TWO-WAY can pump in either direction.

1) *Product recirculation.*

During fermentation the pump runs constantly at low speed. This:

- Gently rouses the product maintaining an even yeast distribution and therefore minimises the likelihood of plugging in the conical end of the FV.
- Circulates the product ensuring a uniform brew - this is particularly important where the vessel is some distance from the routing valves.
- Provides representative samples of the product.

2) *In place cleaning.*

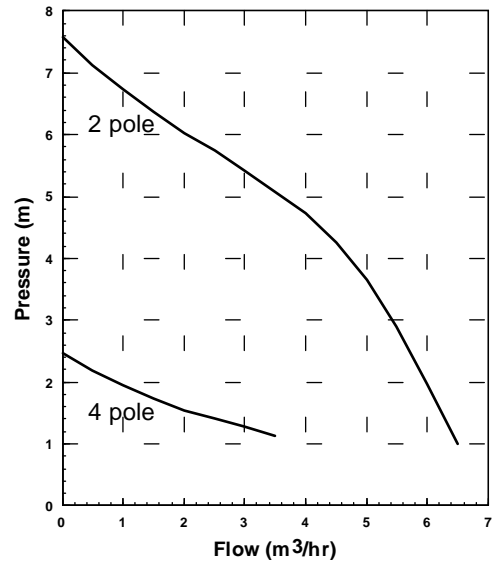
The pump can then be run in the opposite direction at a higher speed to effectively clean in place the pump and associated pipework.

PUMP PERFORMANCE

The pump is close coupled to a two speed motor giving 1450/2900 rpm and powers of 0.45/2.2 kW.

The pump offers:

- Hygienic design, with excellent surface finishes better than 0.8 μm Ra available
- Standard mechanical seal
- High efficiency radial vane impeller
- Low noise
- Standard motor
- 316/316L stainless steel

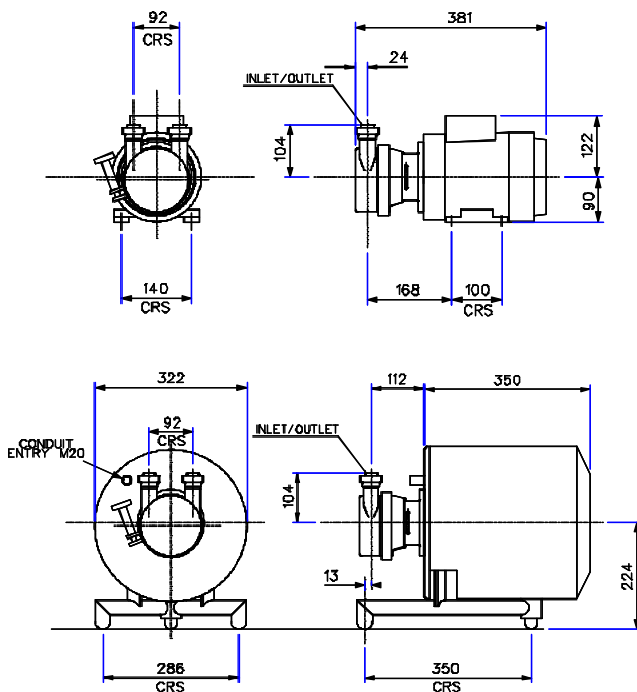


PUMP OPTIONS

Kit	Standard	Free standing base	Cowled

- Inlet/outlet connections to customer preference
- Low pressure flush seal option
- Standard, Free standing base or Cowled

DIMENSIONS



Manufacturers of Stainless Steel
Centrifugal Pumps
Vent Valves and Strainers
for Hygienic Applications

Founded in 1922 to supply hygienic equipment to the food and drink industries, MDM PUMPS LTD has been designing, manufacturing and marketing their range of Centrifugal Pumps, Vent Valves and Strainers since 1952.

MDM PUMPS LTD manufactures in Britain and is registered to BS EN ISO 9001.

MDM PUMPS LTD

Spring Lane
Malvern
Worcs WR14 1BP
England

Tel: +44 (0)1684 892678

Fax: +44 (0)1684 892841



BS EN ISO 9001