

Third Angle Projection

Do Not Scale

DIMENSIONS SUBJECT TO CHANGE WITHOUT NOTIFICATION

DIMENSIONS SHOULD NOT BE USED FOR INSTALLATION PURPOSES UNLESS SPECIFICALLY ENDORSED

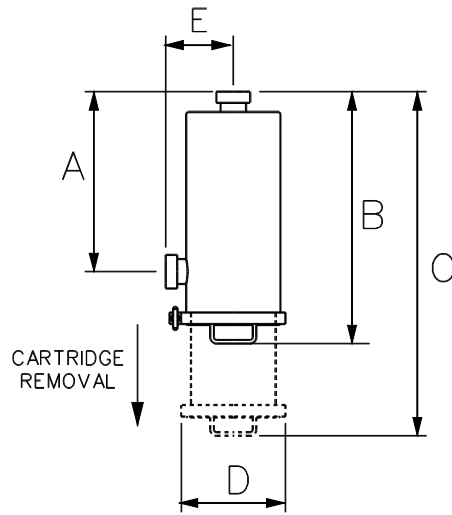
Drng No
RD-1706

Rev Status | A

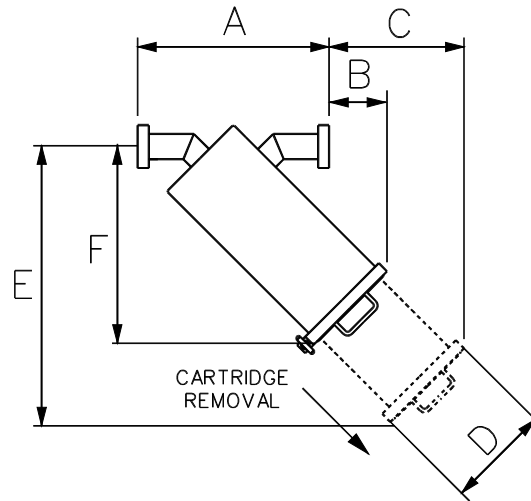
Dimensions in mm

4.5G(2) Iss 1 10/98

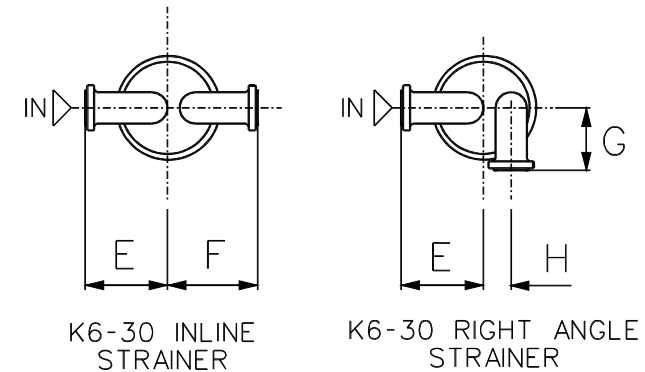
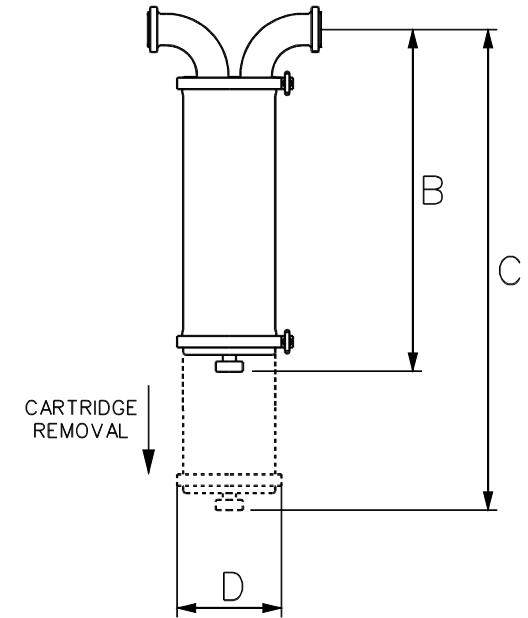
For Revisions See Reverse



K2 RIGHT ANGLE STRAINER



K2 INLINE STRAINER



K6-30 INLINE STRAINER

K6-30 RIGHT ANGLE STRAINER

	A	B	C	D	E	F	G	H
K2-10 RIGHT ANGLE	160	277	490	96	70	/	/	/
K2-20 RIGHT ANGLE	320	465	850	142	96	/	/	/
K2-30 RIGHT ANGLE	386	540	980	226	147	/	/	/
K6-30 RIGHT ANGLE	/	740	860	226	176	/	140	58
K2-20 INLINE	260	140	405	142	620	350	/	/
K6-30 INLINE	/	740	860	226	176	198	/	/



MDM PUMPS LTD
Spring Lane
Malvern, Worcs
England WR14 1BP
Tel 01684 892578
Fax 01684 892841

Drn MR Date 17/9/04
Ch'd Date 17/9/04
Scale

PIPELINE STRAINER - DIMENSION DRAWING