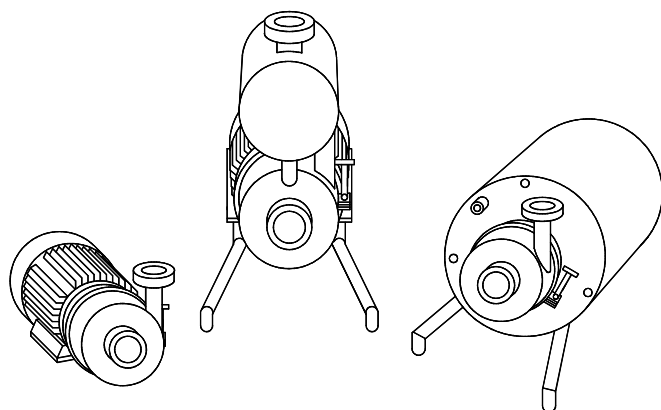




---

# pump overhaul service



For peace of mind let MDM

- maintain
- refurbish
- convert
- repair

your hygienic pumps.

## INTRODUCTION

MDM PUMPS LTD have a Pump Overhaul Service for all their own hygienic stainless steel pumps

(including Midland Dairy Machines Limited and Centri-Compact pumps).

MDM PUMPS LTD offers:

- Pump maintenance
- Pump refurbishment
- Pump conversion
- Pump repair.

## ADVANTAGES

For peace of mind:

- All work is done by the manufacturer of the pumps, with full access to their extensive design, production and test facilities.
  - MDM has a full production history of the pump, including the original pump data sheet, bill of materials and performance test results.
  - Genuine spare parts are used with full material certification (certification can be supplied at extra cost).
  - Pumps are fully performance tested (where possible).
  - MDM PUMPS LTD is quality registered to BS EN ISO 9001.
  - All work complies with The Supply of Machinery (Safety) Regulations and will not invalidate any CE mark.
-

## PUMP MAINTENANCE

The mechanical and static seals are replaced and a report is written on the condition of the pump.

## PUMP REFURBISHMENT

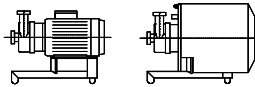
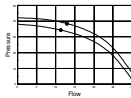
The pump is completely stripped down and parts are either replaced or overhauled.

The motor is inspected and continuity tested. Where required, the motor bearings are replaced.

## PUMP CONVERSION

The pump is converted, for example:

- Changing the performance to a new flow/pressure duty.
- Fitting a new motor (eg different power or specification).
- Adding a free standing base or cowl.
- Changing the type of seal (eg to suit different fluids or to provide a low pressure flush).
- Updating the stub shaft fixing to the latest easy change version.
- Customising the pump to your own requirements.



## PUMP REPAIR

When required, the pump can be repaired, typically within 24 hours.

## Typical Procedure

A typical procedure is:

1) *Pump collection.*

MDM arranges for the pump to be collected (if appropriate).



2) *Pump report.*

The pump is examined and a quotation sent to the customer.

3) *Pump refurbishment/conversion/repair.*

Once the customer has approved the quotation, work on the pump is completed. The pump is then performance tested.

4) *Pump delivery.*

The pump is delivered.



---

Manufacturers of Stainless Steel Centrifugal Pumps, Liquid Ring Pumps, Vent Valves and Strainers for Hygienic Applications

Founded in 1922 to supply hygienic equipment to the food and drink industries, MDM PUMPS LTD has been designing, manufacturing and marketing their range of Centrifugal Pumps, Liquid Ring Pumps, Vent Valves and Strainers since 1952.

MDM PUMPS LTD manufactures in Britain and is registered to BS EN ISO 9001.

**MDM PUMPS LTD**  
Spring Lane  
Malvern  
Worcs WR14 1BP  
England

Tel: +44 (0)1684 892678  
Fax: +44 (0)1684 892841  
[www.mdmpumps.co.uk](http://www.mdmpumps.co.uk)



BS EN ISO 9001