


Third Angle Projection 

Do Not Scale

DIMENSIONS SUBJECT TO CHANGE WITHOUT NOTIFICATION

Drg No  
RD-2159

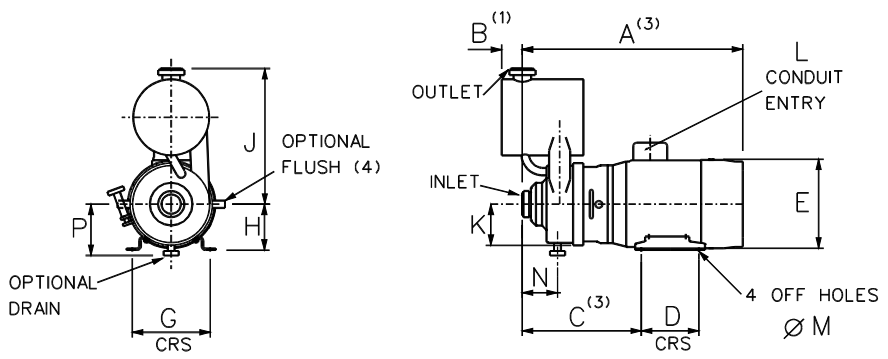
DIMENSIONS SHOULD NOT BE USED FOR INSTALLATION PURPOSES UNLESS SPECIFICALLY ENDORSED

Rev Status

Dimensions in mm

4.5G(2) Iss 1 10/98

For Revisions See Reverse



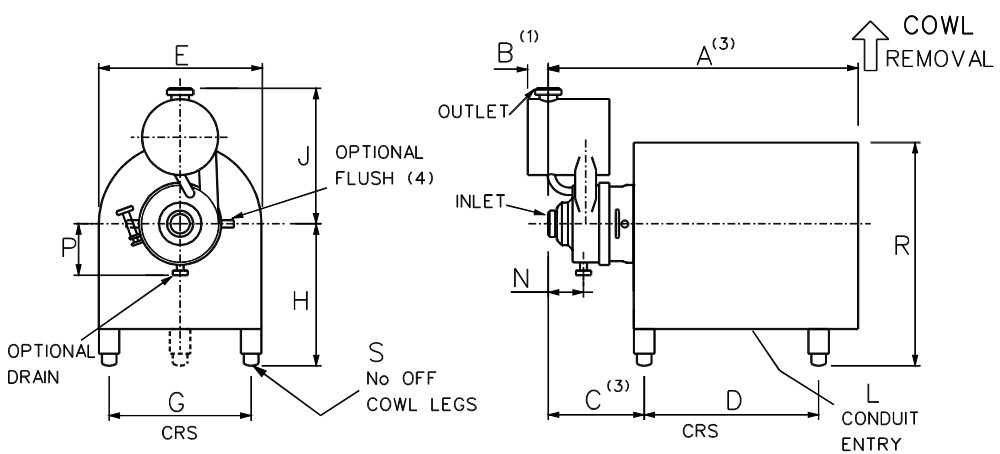
STANDARD PUMP

	A <sup>(3)</sup>	B <sup>(1)</sup>	C <sup>(3)</sup>	D	E	F	G	H	J	K	L	M	N	P
H241AS/5.5&7.5kW	591	56	309	140	255		216	132	454	150	25	14	96	170
H241AS/9.2&11k(132 FRAME)	..	..	..	178	..		..	..	..	..	..	..	..	..
H241AS/11&15kW	723	..	328	210	325		254	160	..	..	32	..	..	..
H241AS/18.5kW	767	..	..	254	..		..	..	..	..	..	..	..	..
H241AS/22kW	823	..	341	241	366		279	180	..	..	..	18	..	..

(1) FOR POLISHED PUMP ADD 87mm

(3) FOR PUMPS WITH FLUSHED, OR EXTERNAL SEALS ADD 45mm

(4) FLUSH CONNS M10 DIAM. OP. ON HORIZ. CENTRE LINE



COWLED PUMP

	A <sup>(3)</sup>	B <sup>(1)</sup>	C <sup>(3)</sup>	D	E	F	G	H	J	L	N	P	R	S
H241AS/ TYPE 32 COWL	710	56	170	520	320		275	245	454	25	96	170	495	3
H241AS/ TYPE 39 COWL	828	..	240	570	390		254	280	..	32	..	..	597	4
H241AS/ TYPE 43 COWL	868	..	..	608	430		279	300	..	..	..	..	640	4

(1) FOR POLISHED PUMP ADD 87mm

(3) FOR PUMPS WITH FLUSHED, OR EXTERNAL SEALS ADD 45mm

(4) FLUSH CONNS M10 DIAM. OP. ON HORIZ. CENTRE LINE



Drn	MR	Date	21/5/08
Ch'd	DP	Date	21/5/08
Scale		NTS	

H241/AS PUMP - DIMENSION DRAWING