

Third Angle Projection 

Do Not Scale

DIMENSIONS SUBJECT TO CHANGE WITHOUT NOTIFICATION

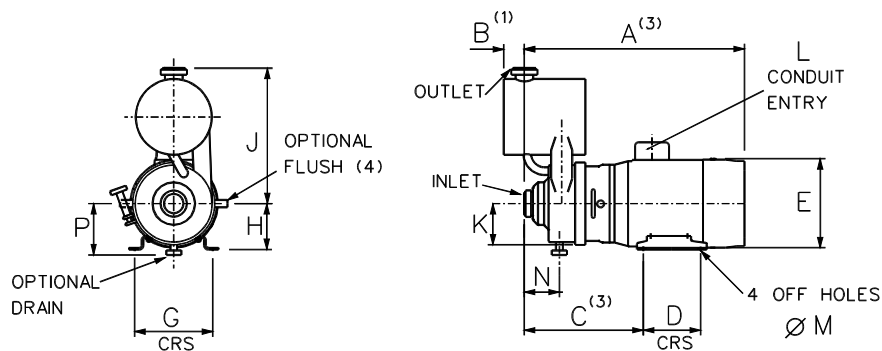
Drg No

RD-2158

DIMENSIONS SHOULD NOT BE USED FOR INSTALLATION PURPOSES UNLESS SPECIFICALLY ENDORSED

Rev Status

Dimensions in mm



	A ⁽³⁾	B ⁽¹⁾	C ⁽³⁾	D	E	F	G	H	J	K	L	M	N	P
H221AS/5.5&7.5kW	591	56	309	140	255		216	132	454	135	25	14	96	160
H221AS/9.2&11k(132 FRAME)	178
H221AS/11&15kW	723	..	328	210	325		254	160	32
H221AS/18.5kW	767	254
H221AS/22kW	823	..	341	241	366		279	180	18

(1) FOR POLISHED PUMP ADD 87mm

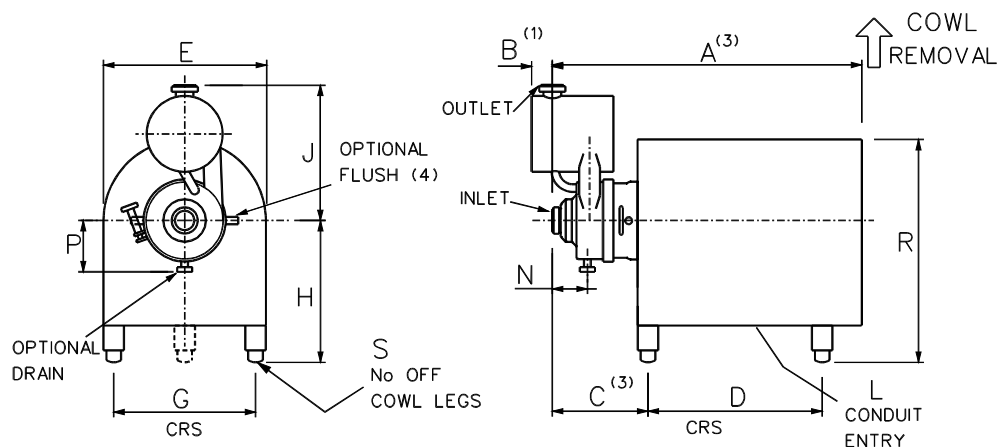
(3) FOR PUMPS WITH FLUSHED, OR EXTERNAL SEALS ADD 45mm

(4) FLUSH CONNS M10 DIAM. OP. ON HORIZ. CENTRE LINE

STANDARD PUMP

4.5G(2) Iss 1 10/98

For Revisions See Reverse



	A ⁽³⁾	B ⁽¹⁾	C ⁽³⁾	D	E	F	G	H	J	L	N	P	R	S
H221AS/ TYPE 32 COWL	710	56	170	520	320		275	245	454	25	96	160	495	3
H221AS/ TYPE 39 COWL	828	..	240	570	390		254	280	..	32	597	4
H221AS/ TYPE 43 COWL	868	608	430		279	300	640	4

(1) FOR POLISHED PUMP ADD 87mm

(3) FOR PUMPS WITH FLUSHED, OR EXTERNAL SEALS ADD 45mm

(4) FLUSH CONNS M10 DIAM. OP. ON HORIZ. CENTRE LINE

COWLED PUMP



MDM PUMPS LTD
Spring Lane
Malvern, Worcs
England WR14 1BP
Tel 01684 892678
Fax 01684 892841

Dwn	MR	Date	21/5/08
Ch'd	DP	Date	21/5/08
Scale		NTS	

H221/AS PUMP - DIMENSION DRAWING