


Third Angle Projection 

Do Not Scale

DIMENSIONS SUBJECT TO CHANGE WITHOUT NOTIFICATION

Drng No  
RD-2157

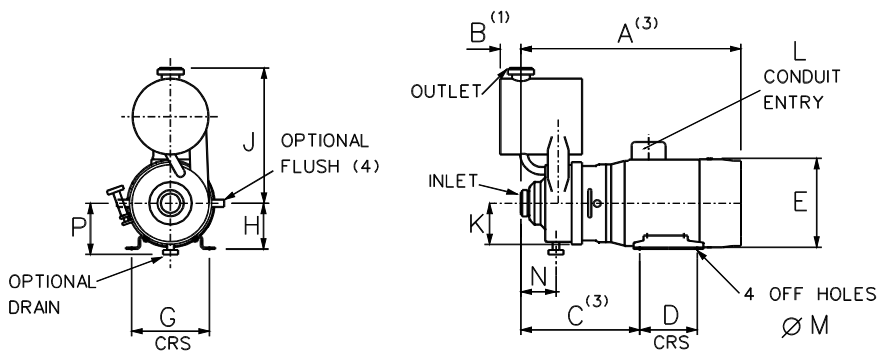
DIMENSIONS SHOULD NOT BE USED FOR INSTALLATION PURPOSES UNLESS SPECIFICALLY ENDORSED

Rev Status

Dimensions in mm

4.5G(2) Iss 1 10/98

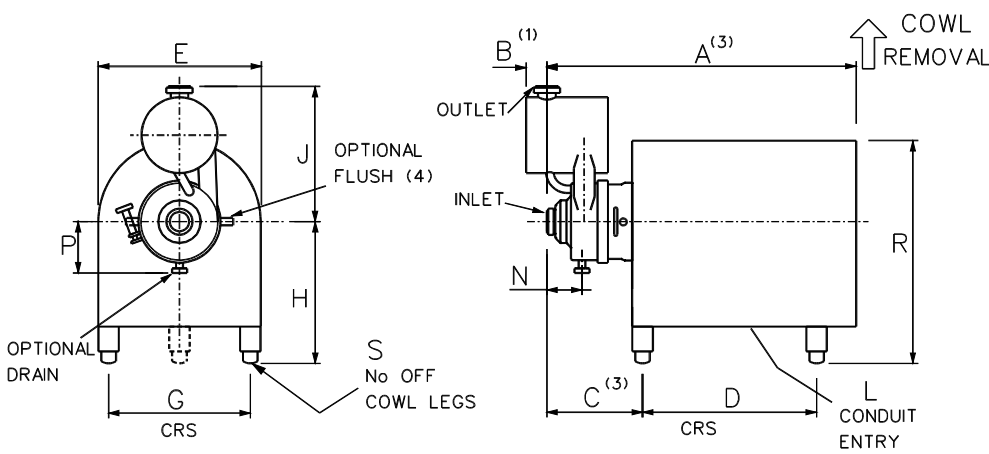
For Revisions See Reverse



STANDARD PUMP

	A <sup>(3)</sup>	B <sup>(1)</sup>	C <sup>(3)</sup>	D	E	F	G	H	J	K	L	M	N	P
H191AS/4kW(112 FRAME)	548	56	290	140	225		190	112	454	115	25	19	96	140
H191AS/5.5&7.5kW	591	..	309	..	255		216	132	..	..	..	14	..	..
H191AS/9.2&11k(132 FRAME)	..	..	..	178	..		..	..	..	..	..	..	..	..
H191AS/11&15kW	723	..	328	210	325		254	160	..	..	32	..	..	..
H191AS/18.5kW	767	..	..	254	..		..	..	..	..	..	..	..	..
H191AS/22kW	823	..	341	241	366		279	180	..	..	..	18	..	..

(1) FOR POLISHED PUMP ADD 87mm  
 (3) FOR PUMPS WITH FLUSHED, OR EXTERNAL SEALS ADD 45mm  
 (4) FLUSH CONNS M10 DIAM. OP. ON HORIZ. CENTRE LINE



COWLED PUMP

	A <sup>(3)</sup>	B <sup>(1)</sup>	C <sup>(3)</sup>	D	E	F	G	H	J	L	N	P	R	S
H191AS/ TYPE 25 COWL	608	56	150	440	250		230	225	454	20	96	140	443	3
H191AS/ TYPE 32 COWL	710	..	170	520	320		275	245	..	25	..	..	495	3
H191AS/ TYPE 39 COWL	828	..	240	570	390		254	280	..	32	..	..	597	4
H191AS/ TYPE 43 COWL	868	..	..	608	430		279	300	..	..	..	..	640	4

(1) FOR POLISHED PUMP ADD 87mm  
 (3) FOR PUMPS WITH FLUSHED, OR EXTERNAL SEALS ADD 45mm  
 (4) FLUSH CONNS M10 DIAM. OP. ON HORIZ. CENTRE LINE



**MDM PUMPS LTD**  
 Spring Lane  
 Malvern, Worcs  
 England WR14 1BP  
 Tel 01684 892678  
 Fax 01684 892841

Drn	MR	Date	21/5/08
Ch'd	DP	Date	21/5/08
Scale		NTS	

H191/AS PUMP - DIMENSION DRAWING