

Third Angle Projection 

Do Not Scale

DIMENSIONS SUBJECT TO CHANGE WITHOUT NOTIFICATION

Drng No
RD-2156

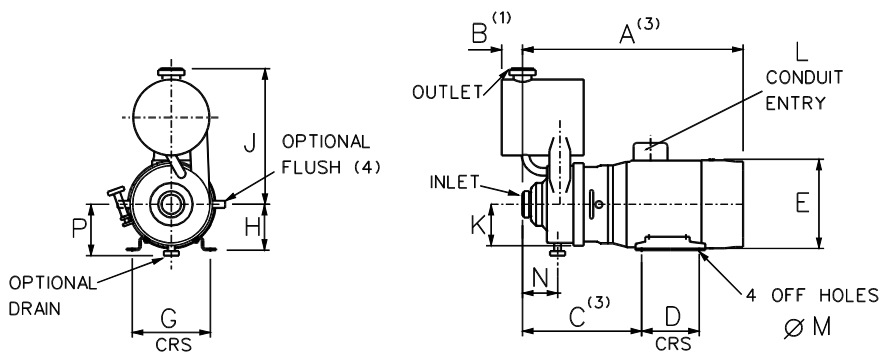
DIMENSIONS SHOULD NOT BE USED FOR INSTALLATION PURPOSES UNLESS SPECIFICALLY ENDORSED

Rev Status

Dimensions in mm

4.5G(2) Iss 1 10/98

For Revisions See Reverse



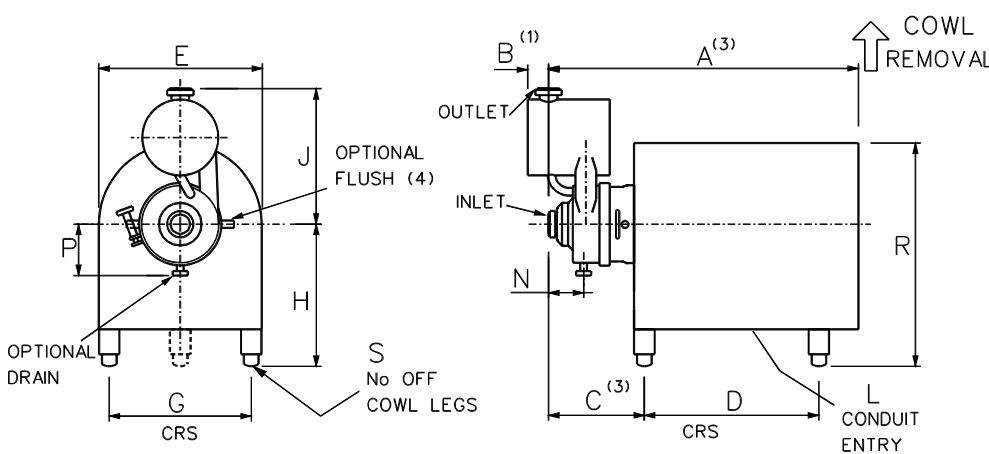
STANDARD PUMP

	A ⁽³⁾	B ⁽¹⁾	C ⁽³⁾	D	E	F	G	H	J	K	L	M	N	P
H161AS/2.2kW	492	56	276	125	180		140	90	454	105	20	15	96	130
H161AS/3&4kW(100 FRAME)	528	..	283	140	196		160	100	17
H161AS/4kW(112 FRAME)	548	..	290	..	225		190	112	25	19
H161AS/5.5&7.5kW	591	..	309	..	255		216	132	14
H161AS/9.2&11k(132 FRAME)	178
H161AS/11&15kW	723	..	328	210	325		254	160	32
H161AS/18.5kW	767	254
H161AS/22kW	823	..	341	241	366		279	180	18

(1) FOR POLISHED PUMP ADD 87mm

(3) FOR PUMPS WITH FLUSHED, OR EXTERNAL SEALS ADD 45mm

(4) FLUSH CONNS M10 DIAM. OP. ON HORIZ. CENTRE LINE



COWLED PUMP

	A ⁽³⁾	B ⁽¹⁾	C ⁽³⁾	D	E	F	G	H	J	L	N	P	R	S
H161AS/ TYPE 21 COWL	555	56	180	355	210		170	180	454	20	96	130	350	3
H161AS/ TYPE 25 COWL	608	..	150	440	250		230	225	443	3
H161AS/ TYPE 32 COWL	710	..	170	520	320		275	245	..	25	495	3
H161AS/ TYPE 39 COWL	828	..	240	570	390		254	280	..	32	597	4
H161AS/ TYPE 43 COWL	868	608	430		279	300	640	4

(1) FOR POLISHED PUMP ADD 87mm

(3) FOR PUMPS WITH FLUSHED, OR EXTERNAL SEALS ADD 45mm

(4) FLUSH CONNS M10 DIAM. OP. ON HORIZ. CENTRE LINE



MDM PUMPS LTD
Spring Lane
Malvern, Worcs
England WR14 1BP
Tel 01684 892678
Fax 01684 892841

Drn	MR	Date	21/5/08
Ch'd	DP	Date	21/5/08
Scale		NTS	

H161/AS PUMP - DIMENSION DRAWING