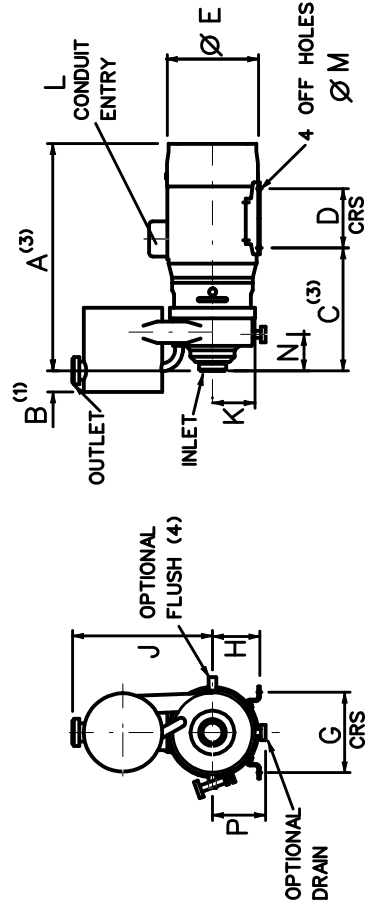


DIMENSIONS SUBJECT TO CHANGE WITHOUT NOTIFICATION

DIMENSIONS SHOULD NOT BE USED FOR INSTALLATION PURPOSES UNLESS SPECIFICALLY ENDORSED



	A ⁽³⁾	B ⁽¹⁾	C ⁽³⁾	D	E	G	H	J	K	L	M	N	P	R
H141AS/2.2kW	487	56	276	125	180	140	90	454	105	10	86	120	45	
H141AS/3&4kW	526	..	283	140	196	160	100	
H141AS/4kW	548	..	290	..	225	190	112	
H141AS/5.5&7.5kW	590	..	309	..	270	216	132	..	2&M32	
H141AS/9.2&11kW	627	178	
H141AS/11&15kW	723	..	328	210	335	254	160	..	2&M40	12	
H141AS/18.5kW	767	254	
H141AS/22kW	822	..	341	241	366	279	180	

(1) FOR POLISHED PUMP ADD 87mm

(3) FOR PUMPS WITH LOW PRESSURE FLUSH, OR EXTERNAL SEALS ADD DIMENSION 'R'

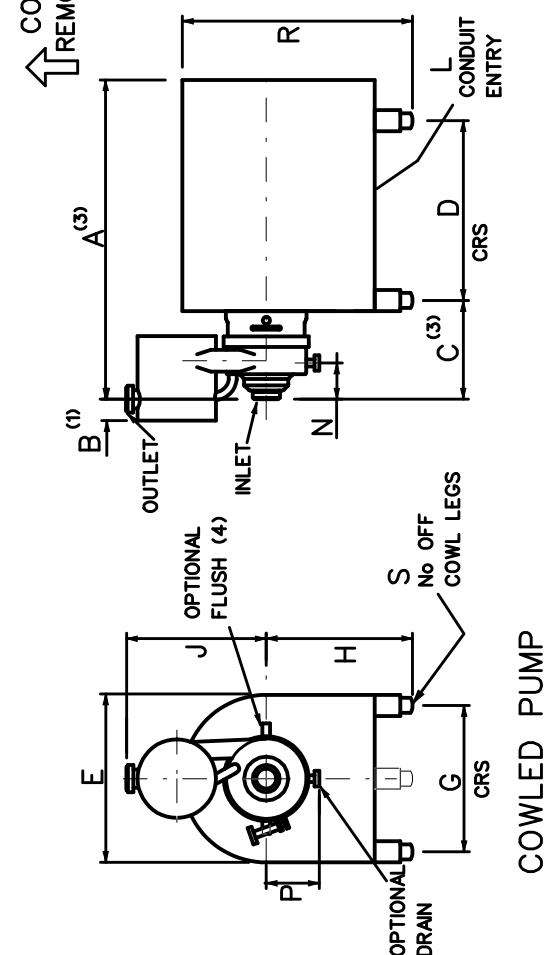
(4) FLUSH CONNS MID DIAM. OP. ON HORIZ. CENTRE LINE

STANDARD PUMP

DIMENSIONS A & E VARY ACCORDING TO MAKE OF MOTOR

4.5C(2) Iss 1 10/98

For Revisions See Reverse



	A ⁽³⁾	B ⁽¹⁾	C ⁽³⁾	D	E	G	H	J	K	L	M	N	P	R
H141AS/ TYPE 21 COWL	555	180	355	210	170	180	180	454	105	86	120	350	3	45
H141AS/ TYPE 25 COWL	608	..	150	440	250	230	225	443
H141AS/ TYPE 32 COWL	710	..	170	520	320	275	245	..	2&M32	495
H141AS/ TYPE 39 COWL	830	..	240	570	390	254	280	..	2&M40	597	4	..
H141AS/ TYPE 43 COWL	870	608	430	279	300	640

(1) FOR POLISHED PUMP ADD 87mm

(3) FOR PUMPS WITH LOW PRESSURE FLUSH, OR EXTERNAL SEALS ADD DIMENSION 'T'

(4) FLUSH CONNS MID DIAM. OP. ON HORIZ. CENTRE LINE

COWLED PUMP

MDM PUMPS LTD
Spring Lane
Malvern, Worcs
England WR14 1BP
Tel 01684 892678
Fax 01684 892841

Date 21/5/08
Ch'd DP
Scale NTS

H141/AS PUMP - DIMENSION DRAWING