


Third Angle Projection  Do Not Scale

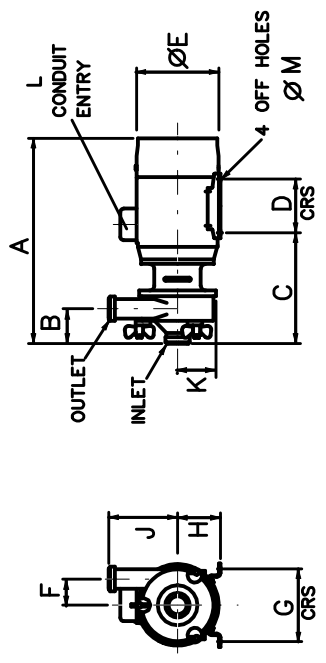
DIMENSIONS SUBJECT TO CHANGE WITHOUT NOTIFICATION

DIMENSIONS SHOULD NOT BE USED FOR INSTALLATION PURPOSES UNLESS SPECIFICALLY ENDORSED

Drg No RD-2088

Rev Status	A
------------	---

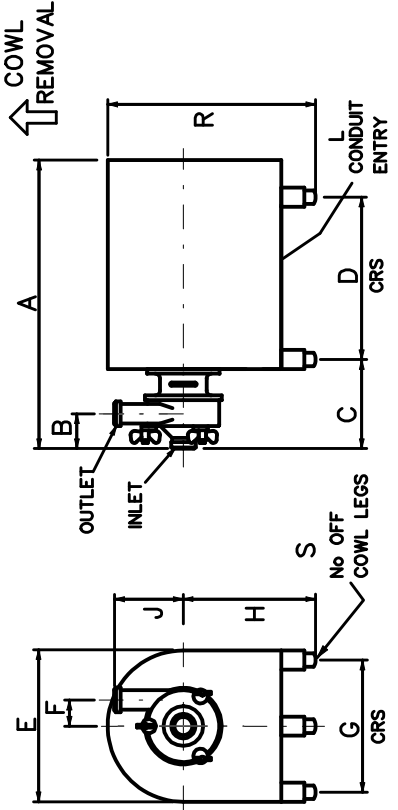
Dimensions in mm



	A	B	C	D	E	F	G	H	J	K	L	M
GP/0.37kW	321	50	151	90	142	46	112	71	120	66	MASS 1400	7
GP/0.55kW	MASS 1400	..
GP/0.75kW	338	..	156	100	160	..	125	80	MASS 1400	9
GP/1.1kW	MASS 1400	..
GP/1.5kW	388	..	177	..	180	..	140	90	MASS 1400	10
GPW/1.1kW	340	52	158	100	160	38	125	80	130	66	MASS 1400	9
GPW/1.5kW	391	..	180	..	180	..	140	90	MASS 1400	10
GPW/2.2kW	125	MASS 1400	..

STANDARD PUMP

DIMENSIONS A & E VARY ACCORDING TO MAKE OF MOTOR



	A	B	C	D	E	F	G	H	J	L	R	S
GP/TYPE 21 COWL 7+80 FRAME	454	50	78	355	210	46	170	180	120	MASS 3500	350	3
GP/TYPE 21 COWL 90 FRAME	469	..	93
GPW/TYPE 21 COWL 7+80 FRAME	456	52	80	355	210	38	170	180	130	MASS 3500	350	3
GPW/TYPE 21 COWL 90 FRAME	471	..	95

COWLED PUMP

MDM PUMPS LTD	Ch'd	DP	Scale	NTS
Spring Lane	MR	MR	1/9/04	1/9/04
Adverton, Worcs	Date	Date		
England WR14 1BP				
Tel 01684 892678				
Fax 01684 892841				



GP & GPW PUMP - DIMENSION DRAWING

For Revisions See Reverse 4.5G(2) Iss 1 10/98